



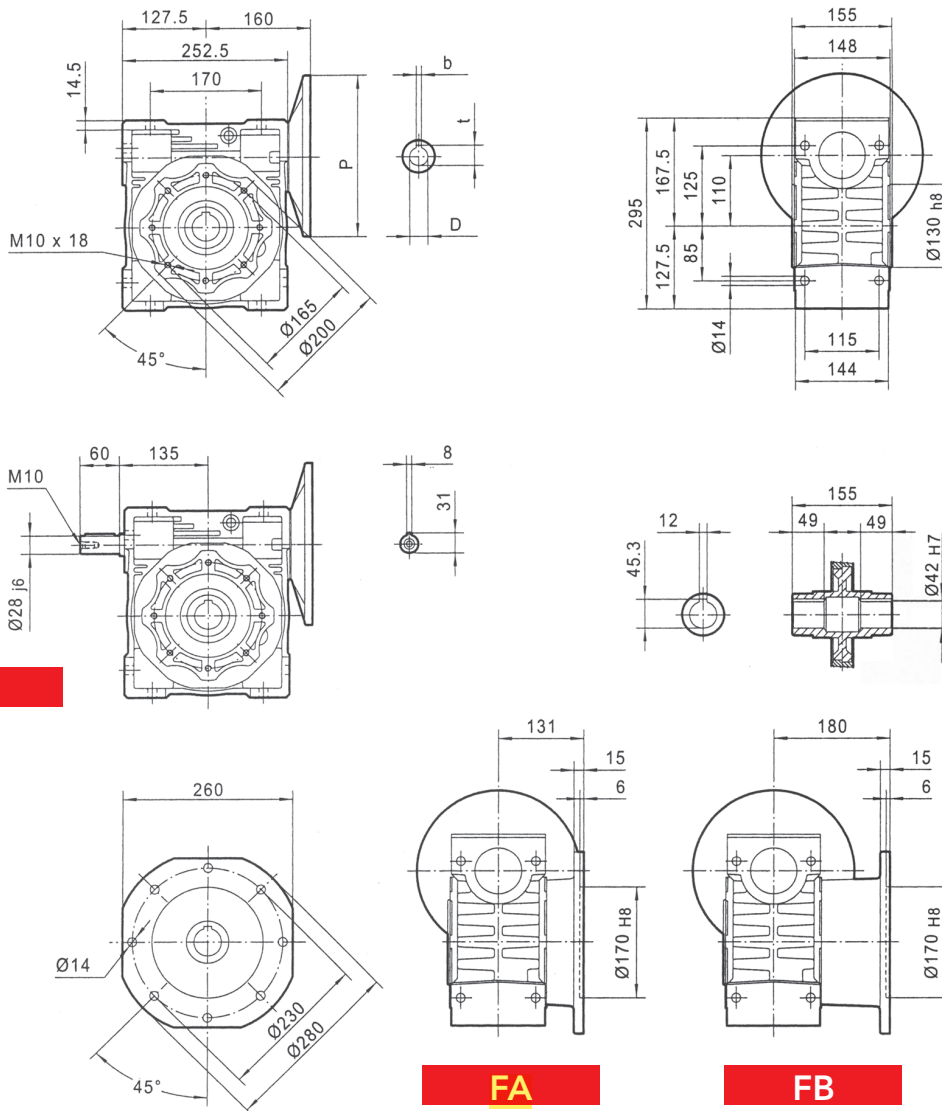
CHM 110 - PERFORMANCE WITH 4-POLE MOTORS 1400 REVS. INPUT

CHM 110

| TYPE | i=ratio | n2 r/min | Kw=P1 | Nm=T2 | f.s. | Possible types of motor connections | |
|------|---------|----------|-------|-------|------|-------------------------------------|---------|
| | 7.5 | 186.7 | 7.50 | 344 | 1.6 | 132/112/100 | B5/B14 |
| | 10 | 140.0 | 7.50 | 453 | 1.3 | 132/112/100 | B5/B14 |
| | 15 | 93.3 | 7.50 | 659 | 1.0 | 132/112/100 | B5/B14 |
| | 20 | 70.0 | 5.50 | 635 | 1.0 | 132/112/100 | B5/B14 |
| | 25 | 56.0 | 4.00 | 573 | 1.2 | 112/100 | B5/B14 |
| | 30 | 46.7 | 4.00 | 645 | 1.1 | 112/100 | B5/B14 |
| | 40 | 35.0 | 3.00 | 636 | 1.1 | 112/100/90 | B5/B14* |
| | 50 | 28.0 | 3.00 | 764 | 0.9 | 112/100/90 | B5/B14* |
| | 60 | 23.3 | 2.20 | 645 | 1.0 | 112/100/90 | B5/B14* |
| | 80 | 17.5 | 1.50 | 546 | 0.9 | 90 | B5/B14* |
| | 100 | 14.0 | 1.10 | 470 | 1.0 | 90 | B5/B14* |

* 90 only B5

DIMENSIONS



E

FA

FB

| PAM IEC | P | DE8 | b | t |
|--------------|-----|-----|----|------|
| 132B5 | 300 | 38 | 10 | 41.3 |
| 112B5 | 250 | 28 | 8 | 31.3 |
| 100B5 | 250 | 28 | 8 | 31.3 |
| 90B5 | 200 | 24 | 8 | 27.3 |
| 80B5 | 200 | 19 | 6 | 21.8 |

| PAM IEC | P | DE8 | b | t |
|---------------|-----|-----|----|------|
| 132B14 | 200 | 38 | 10 | 41.3 |
| 112B14 | 160 | 28 | 8 | 31.3 |
| 100B14 | 160 | 28 | 8 | 31.3 |
| | | | | |
| | | | | |

Weight 35 Kg excluding motor